

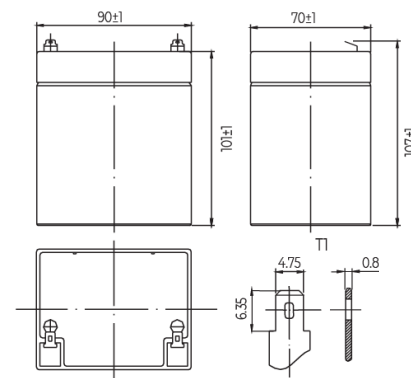
SPECIFICATION / TECHNICAL SHEET

Specifications

Nominal Voltage	12V	
Rated capacity (20 hour rate)	5Ah	
Dimensions	Length	90±2mm
	Width	70±2mm
	Height	101±2mm
	Total Height	107±2mm
Approx. Weight	1.58kg±4%	

Characteristics

Capacity (25°C)	20HR(10.5V)	5.0Ah
	10HR(10.5V)	4.7Ah
	1HR(9.6V)	3.0Ah
Terminal type	T1	
Internal resistance (Fully charged, 25°C)	Approx. 27mΩ	
Capacity affected by temperature (10HR)	40°C	102%
	25°C	100%
	0°C	85%
	-15°C	65%
Self-discharge (25°C)	3month	Remaining capacity: 91%
	6month	Remaining capacity: 82%
	12month	Remaining capacity: 65%
Nominal operating temperature	25°C ±3°C (77°F ± 5°F)	
Operating temperature range	Discharge	- 15°C~ 50°C (5°F ~ 122°F)
	Charge	- 10°C~ 50°C (14°F ~ 122°F)
	Storage	- 20°C~ 50°C (-4°F ~ 122°F)
Float charging voltage (25°C)	13.60 to 13.80V Temperature compensation: -18mV/°C/Block	
Cyclic charging voltage (25°C)	14.50 to 15.00V Temperature compensation: -30mV/°C/Block	
Maximum charging current	1.5A	
Maximum discharge current	75A (5 sec.)	
Designed floating life (25°C)	5years	



Certification & Compliances



Compliant to: EUROBAT, RoHS, WEEE's and Reach.
Manufactured according to IEC 60896-21 / 22

Applications

- All Purpose
- Standby Applications
- Recreation Vehicles
- Uninterruptible Power Supply (UPS)
- Electric Power System (EPS)
- Fire & Security
- Generators
- Medical Equipment

SPECIFICATION / TECHNICAL SHEET cont.

Construction

Component	Positive plate	Negative plate	Container	Cover	Separator	Electrolyte	Safety valve	Terminal
Raw material	Lead dioxide	Lead	ABS	ABS	AGM	Sulfuric acid	Rubber	Copper

Constant Current Discharge Characteristics Unit: A 25°C

F.V/Time	5min	10min	15min	30min	60min	2hr	3hr	4hr	5hr	10hr	20hr
9.60V	19.1	12.1	9.45	5.33	3.28	1.79	1.24	1.03	0.87	0.47	0.25
9.90V	18.5	11.7	9.22	5.22	3.23	1.78	1.23	1.02	0.87	0.47	0.25
10.2V	17.8	11.3	8.88	5.06	3.14	1.77	1.22	1.01	0.86	0.47	0.25
10.5V	17.0	10.8	8.58	4.94	3.08	1.74	1.22	1.01	0.86	0.47	0.25
10.8V	16.0	10.2	8.13	4.76	2.99	1.69	1.18	0.97	0.83	0.46	0.25

Constant Power Discharge Characteristics Unit: W 25°C

F.V/Time	5min	10min	15min	30min	60min	2hr	3hr	4hr	5hr	10hr	20hr
9.60V	213	136	108	61.0	37.9	21.0	14.7	12.2	10.4	5.68	3.05
9.90V	207	132	105	59.8	37.4	20.8	14.6	12.1	10.4	5.66	3.03
10.2V	198	127	101	58.0	36.4	20.7	14.5	12.1	10.3	5.63	3.02
10.5V	190	121	97.8	56.6	35.7	20.3	14.4	12.0	10.2	5.60	3.00
10.8V	179	115	92.6	54.5	34.6	19.8	14.0	11.6	9.9	5.49	2.94

Note: The above characteristics data can be obtained within three charge or discharge cycles.



For pricing and availability please contact the team
at SPB on 1300 001 772 or sales@spb.net.au