

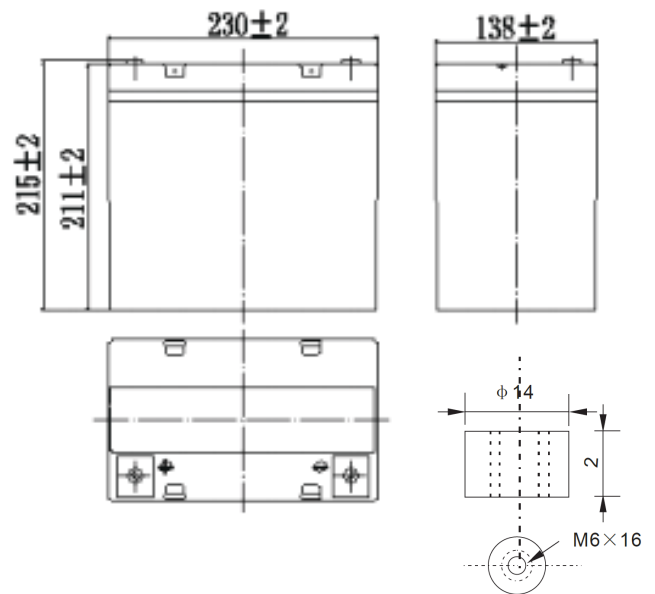
SPECIFICATION / TECHNICAL SHEET

Specifications

Nominal Voltage	12V (6 cells per unit)	
Rated capacity (10 hour rate)	55Ah/10.8V	
Dimensions	Length	230±2mm
	Width	138±2mm
	Height	211±2mm
	Total Height	215±2mm
Approx. Weight	17.30kg±3%	

Characteristics

Capacity (25°C)	10HR(10.8V)	55Ah
	3HR(10.8V)	39Ah
	1HR(10.5V)	30Ah
Terminal type	T14	
Internal resistance (Fully charged, 25°C)	Approx. 6.5mΩ	
Capacity affected by temperature (10HR)	40°C	102%
	25°C	100%
	0°C	85%
	-15°C	65%
Self-discharge (25°C)	3month	Remaining capacity: 91%
	6month	Remaining capacity: 82%
	12month	Remaining capacity: 65%
Nominal operating temperature	25°C ± 3°C	
Operating temperature range	Discharge	-15°C - 50°C
	Charge	-10°C - 50°C
	Storage	-20°C - 50°C
Float charging voltage(25°C)	13.50 to 13.80V Temperature compensation: -18mV/°C/Block	
Cyclic charging voltage(25°C)	14.50 to 15.00V Temperature compensation: -30mV/°C/Block	
Maximum charging current	15A	
Maximum discharge current	500A (5 sec.)	
Designed floating life(20°C)	10 years for floating (25°C) Eurobat (20°C): 6-9 years, general purpose.	



Applications

- All Purpose
- Standby Applications
- Recreation Vehicles
- Uninterruptible Power Supply (UPS)
- Electric Power System (EPS)
- Fire & Security
- Generators
- Medical Equipment

SPECIFICATION / TECHNICAL SHEET cont.

Construction

Component	Positive plate	Negative plate	Container	Cover	Separator	Electrolyte	Safety valve	Terminal
Raw material	Lead dioxide	Lead	ABS	ABS	AGM	Sulfuric acid	Rubber	Copper

Constant Current Discharge Characteristics Unit: A 25°C

F.V/Time	10min	15min	30min	60min	2h	3h	4h	5h	8h	10h	20h
9.60V	118	90.7	54.3	33.4	19.7	14.2	11.3	9.69	6.66	5.50	2.91
9.90V	114	88.5	53.2	32.9	19.6	14.1	11.3	9.64	6.63	5.49	2.91
10.2V	109	85.3	51.6	32.0	19.4	14.0	11.2	9.57	6.58	5.47	2.90
10.5V	105	82.4	50.3	31.0	19.1	13.9	11.1	9.50	6.53	5.44	2.88
10.8V	98.9	78.0	48.5	30.0	18.7	13.5	10.8	9.22	6.34	5.40	2.86

Constant Power Discharge Characteristics Unit: W 25°C

F.V/Time	10min	15min	30min	60min	2h	3h	4h	5h	8h	10h	20h
9.60V	1271	996	609	380	228	167	133	115	79.2	65.6	35.0
9.90V	1233	972	597	375	227	166	133	114	78.7	65.5	34.9
10.2V	1182	936	578	365	225	165	132	113	78.2	65.3	34.8
10.5V	1132	904	564	354	222	164	131	112	77.6	64.9	34.6
10.8V	1068	857	544	342	216	159	127	109	75.3	64.5	34.3

Note: The above characteristics data can be obtained within three charge or discharge cycles.



For pricing and availability please contact the team
at SPB on 1300 001 772 or sales@spb.net.au